

FENIX 200 SERIES

Rockwell | Brinell Hardness Testers

MANUAL & SEMI-AUTOMATIC



FENIX 200 AR

Fast & affordable Rockwell testing...

Quality long life mechanics, readings from a precision analogue indicator. Load applied from a dead weight force actuator, with solid test load selector design. The newly designed C frame made out of steel (no casting) provides 100% more rigidity compared to traditional casted designs and assures excellent GR & R results, even after years of use.

The internal system can be easily serviced by removing the side and top covers, no need to turn the machine around.



HARDNESS SCALES



ROCKWELL 10kgf – 150kgf



ROCKWELL FORCE RANGE

1kgf	10kgf	FENIX 200 AR	150kgf	187.5kgf
------	-------	--------------	--------	----------

HIGHLIGHTS

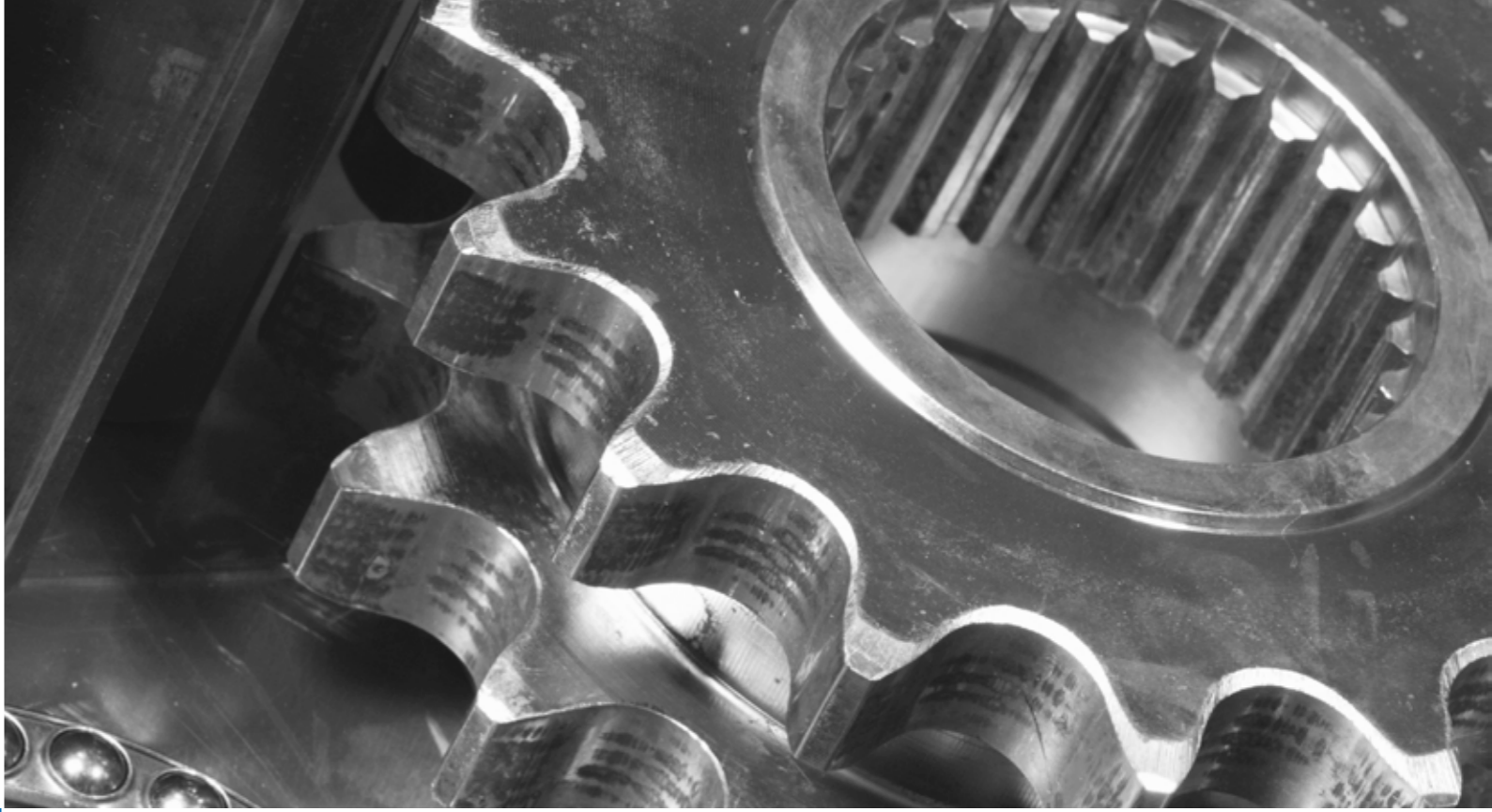
- 1 Rockwell scales : A, B, C, D, E, F, G, H, K, L, M, P, R, S, V
- 2 Test loads, pre-load : 10kgf, main-load : 60, 100, 150kgf
- 3 Adjustable hydraulic force speed damper
- 4 Adjustable dial indicator with 0.5 HR Rockwell units
- 5 Throat depth : 150mm
- 6 Working height : 240mm
- 7 Rockwell EN-ISO 6508, ASTM E-18
- 8 Machine weight (net) : 126kg
- 9 Machine dimensions : H765mm/W270mm/D555mm

FENIX 200 ACL



Affordable Rockwell testing, re-invented...

A load cell, closed loop, force feedback, test force application system that is absolutely unique in this class of instruments. Limited mechanical structure, without weights or weight selection. Hardness scales can be selected on the digital display. Conduct Rockwell hardness testing with great force precision and without the disadvantage of a relative complex mechanical dead weight system.

The internal system can be serviced by removing the side and top covers, no need to turn the machine around.

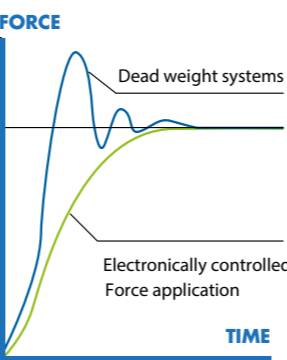


HARDNESS SCALES

	ROCKWELL	10kgf – 150kgf
	BRINELL	10kgf – 187.5kgf



TECHNOLOGY OF TODAY



Load cell, closed loop, force feedback system

ROCKWELL & BRINELL FORCE RANGE

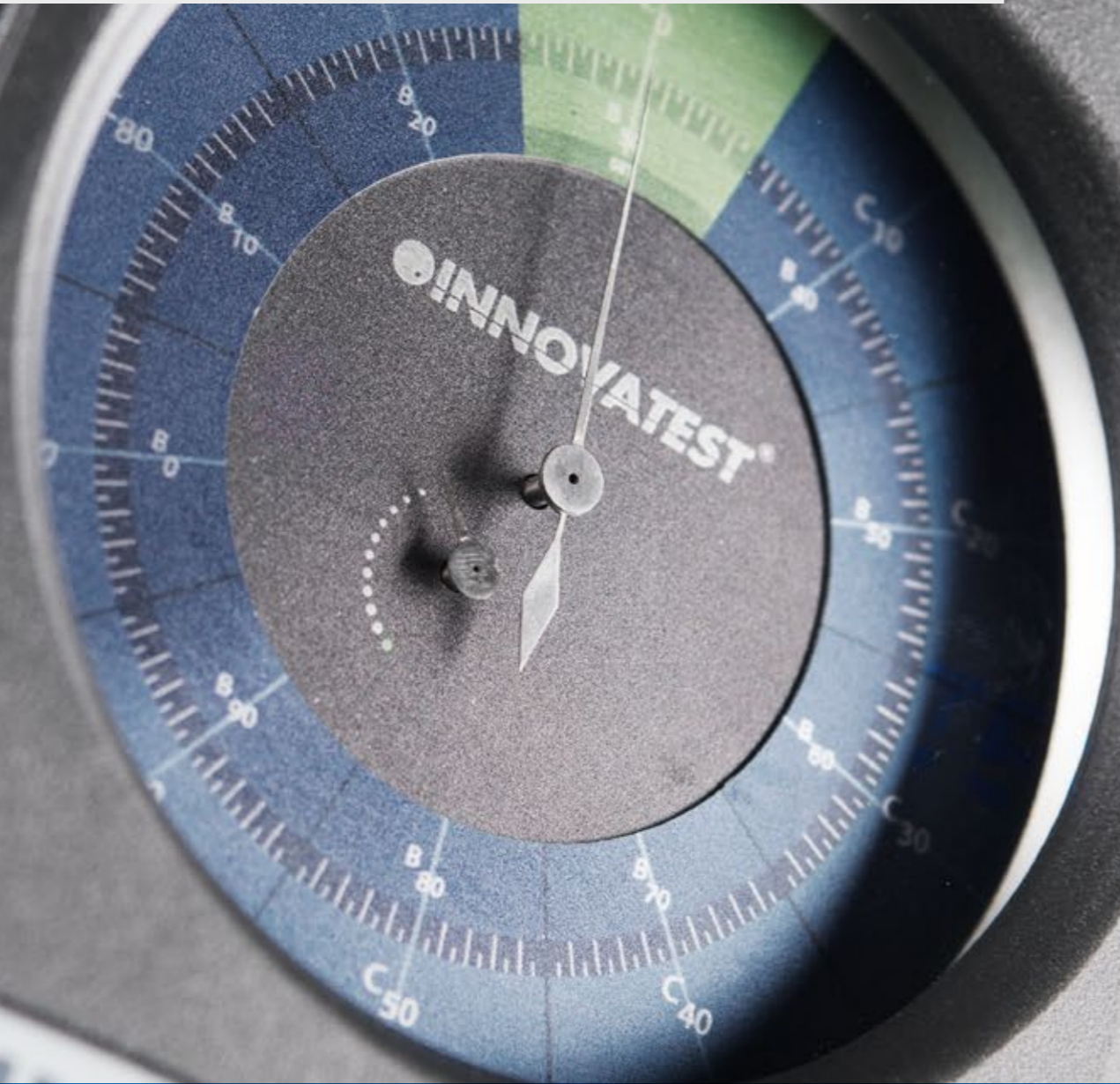
1kgf	10kgf	FENIX 200 ACL	187.5kgf
------	-------	---------------	----------

HIGHLIGHTS

- 1 Load cell, closed loop, force feedback, force application system, error <0,25%
- 2 Rockwell scales : A, B, C, D, E, F, G, H, K, L, M, P, R, S, V
Brinell scales : HBW1/10, HBW1/30, HBW2.5/15.625, HBW2.5/31.25, HBW2.5/62.5, HBW2.5/187.5, HBW5/25, HBW5/62.5, HBW5/125, HBW5/187.5, HBW10/100
- 3 Digital display for scale indication, dwell time count down and calibration function.
- 4 Start/stop & menu selection buttons.
- 5 Adjustable dial indicator with 0.5 HR Rockwell units
- 6 Throat depth : 150mm
- 7 Working height : 240mm
- 8 Machine weight (net) : 116kg.
- 9 Machine dimensions : H765mm/W270mm/D555mm

SENSIBLE

INNOVATION



200 ACL
Multi loadcell,
ball bearing,
force actuator



STANDARD
Force
adjustable
workpiece clamp

Observe, Think, Try, Change...

Unparalleled in this class of Rockwell hardness testing machines is the electronic Load cell, closed loop, force feedback, force application system. Absolute maintenance free, automatic setting of test forces by choosing the Rockwell hardness scale. Error free operation, due to an automatic test cycle, applying the main load and correct pre-set dwell time.

VARIOUS POSSIBILITIES

The FENIX is larger than most other machines in its class. With a throat depth of 150mm and maximum workpiece height of 240mm, it offers the user a generous workspace. With 116kg total weight, the FENIX is also super rigid and sturdy, it can withstand harsh environments. Compare these parameters with alternative products and find that FENIX is leading in its class.



INDENTER COVER & CLAMP

The 200 series is standard equipped with an indenter protection cover that includes an integrated spring loaded workpiece clamp pressing the workpiece firmly on the anvil and eliminating possible workpiece and spindle hysteresis. Adjustable clamp force, to avoid impressions on softer materials.





SUPPORT YOUR BEST TESTING RESULTS

With our rigid designed Bench stands

- Rock solid bench stands
- 100% retractable drawer, bearing guidance, max 100kg load. Rubber anti slip bottom
- Lockable cabinet, 300mm high
- Adjustable feet, (+/- 50mm height adjustable to reach ergonomic working position)
- Made of corrosion resistant zinc plated steel with RAL powder coating
- Carrying capacity of 400kg
- Top surface made of 50mm Plywood with 1.5mm chemical resistant plastic plating, edges made of shock resistant 3mm ABS side liner
- Industrial quality, for workshop or laboratory

Designed for hardness testing instruments, painted in INNOVATEST® RAL colors matching our testers.



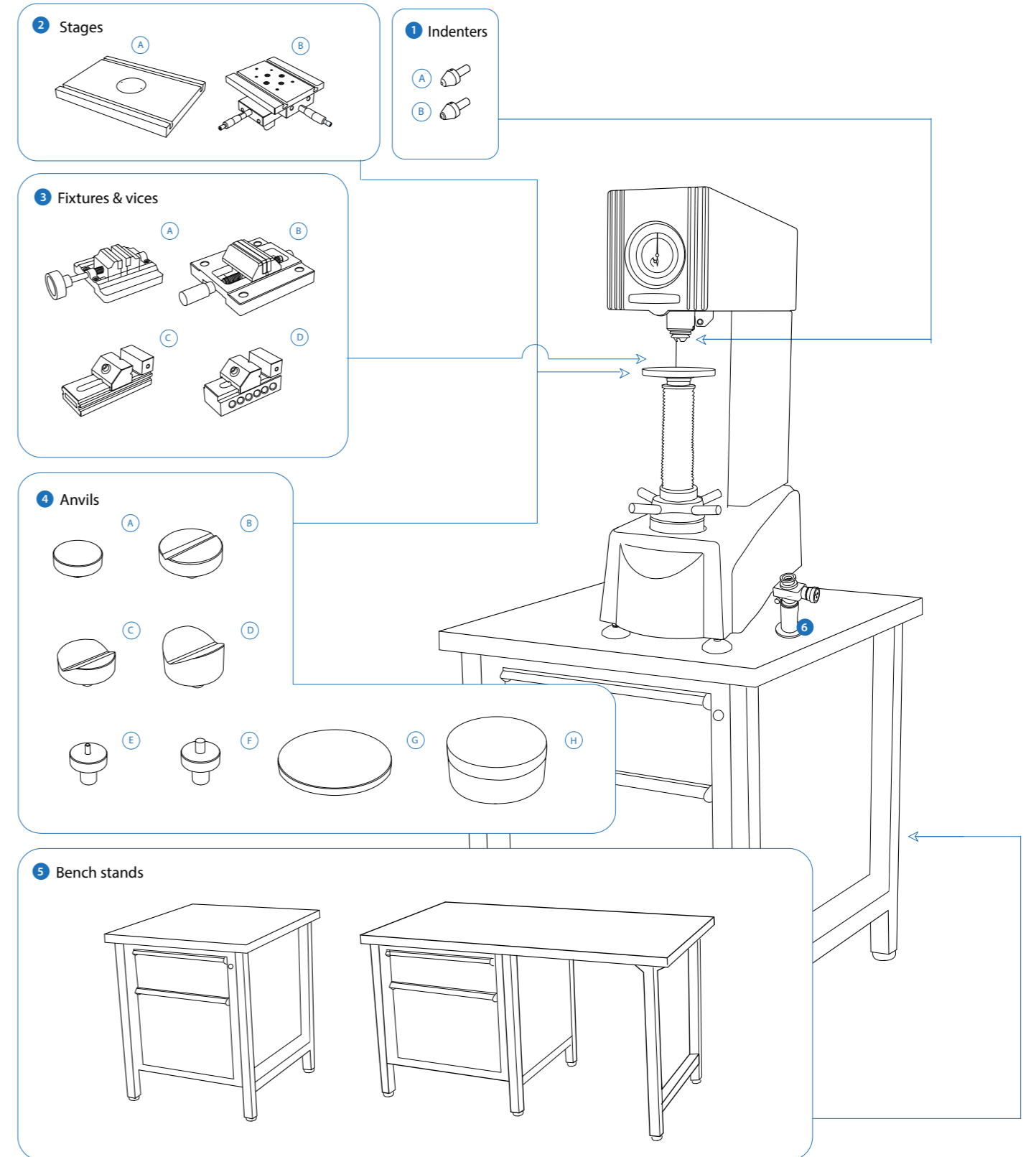
UN-STAND/960 71 x 75 x 80 cm



UN-STAND/965 150 x 75 x 80 cm

ACCESSORIES FENIX 200

Schematic overview of the configuration options, standard and optional accessories



Not all accessories are displayed on this page. Full details can be found on the Order details page.

ORDER DETAILS

FENIX 200



FENIX 200 AR Rockwell hardness tester	FENIX 200 AR
FENIX 200 ACL Rockwell (Brinell) hardness tester	FENIX 200 ACL

ACCESSORIES

Category	Item	Description	Part Number	Standard
1 Indenters	A	Rockwell cone diamond indenter, factory certified	IN/6011	STANDARD
		Rockwell cone diamond indenter & ASTM/ISO certificate	IN/6005	
		Rockwell indenter 1/16" carbide ball & ASTM/ISO certificate	IN/7506	
		Rockwell indenter 1/8" carbide ball & ASTM/ISO certificate	IN/7606	
		Rockwell indenter 1/4" carbide ball & ASTM/ISO certificate	IN/7706	
		Rockwell indenter 1/2" carbide ball & ASTM/ISO certificate	IN/7806	
	B	Brinell Indenter 1mm, includes 1 carbide ball & ASTM/ISO certificate	IN/7000	
		Brinell indenter 2.5mm, includes 1 carbide ball & ASTM/ISO certificate	IN/7005	
		Brinell indenter 5mm, includes 1 carbide ball & ASTM/ISO certificate	IN/7010	
		Brinell indenter 10mm, includes 1 carbide ball & ASTM/ISO certificate	IN/7015	
2 Stages	A	Flat test table with 2 T-slots, 350x250mm, req. ASV700-21-01 locking Ring	UN-TESTTABLE/015	
		Locking ring	ASV700-21-01	
	B	Manual X-Y stage with analogue metric micrometers, 180x160mm Displacement: 25x25mm, scale 0.01mm, max load 300kg, requires UN-XYZ BUSH42 1x + UN-XYZ30FP40-42 1	UN-TESTTABLE/030	
		Fixing bush 42 XY Stage	UN-XYZ BUSH42	
		Fixing plate 40-42 XY Stage	UN-XYZ30FP40-42	
3 Fixtures & vices	A	Polished precision vice with lock down system, jaw 25mm, depth 20mm	UN-VICE/210	
		Polished precision vice with lock down system, jaw 36mm, depth 42mm	UN-VICE/215	
		Polished precision vice with lock down system, jaw 48mm, depth 75mm	UN-VICE/220	
		Polished precision vice with lock down system, jaw 75mm, depth 100mm	UN-VICE/230	
4 Anvils	A	Flat Anvil 60mm	ASX600-19-04	STANDARD
		V-Anvil ø80mm 3.3-20mm	UN-ANVIL/040	
		V-Anvil ø80mm 12-80mm	UN-ANVIL/045	
		V-Anvil ø80mm 20-140mm	UN-ANVIL/050	
		Spot anvil 5mm	UN-ANVIL/010	
		Spot anvil 10mm	UN-ANVIL/011	
		Testing table flat 150mm ø	ASX600-19-06	
		Irregular part table support, ø150mm	UN-ANVIL/020	
Machine cover	A	Anti Static machine cover	UN-TESTERCOVER06	
5 Bench stands	A	Cabinet test table with drawer 71x75x80cm	UN-STAND/960	
		Cabinet test table with drawer 150x75x80cm	UN-STAND/965	
6 Microscopes	A	Analogue measuring microscope 20 x	ASS3001-MICRO/01	
		Analogue measuring microscope 40 x	ASS3001-MICRO/02	
		Pre installation, calibration, handling and standard packing (for sea and airworthy transportation)	SEAPACK/032	

ACCESSORIES

INDENTERS



* Without ISO/ASTM Certificate

STAGES



FIXTURES & VICES



ANVILS

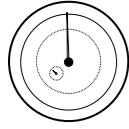


MICROSCOPES

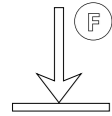


SPECIFICATIONS

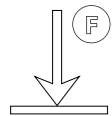
HARDNESS SCALES

	ROCKWELL	A, B, C, D, E, F, G, H, K, L, M, P, R, S, V
	EN-ISO 6508, ASTM E-18 JIS Z 2245	
	BRINELL*	HBW1/10, HBW1/30, HBW2.5/15.625, HBW2.5/31.25, HBW2.5/62.5, HBW2.5/187.5, HBW5/25, HBW5/62.5, HBW5/125, HBW5/187.5, HBW10/100
	EN-ISO 6506, ASTM E92 JIS Z 2243	* FENIX 200 ACL only

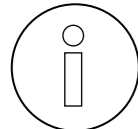
TEST FORCE 200 AR

	Force application	Dead weight system via load selector
	Test forces	Preload : 10kgf , main loads : 60, 100, 150kgf
	Force range	FENIX 200 AR 10kgf – 150kgf
	Test force tolerance	< 1% for test force 10kgf to 150kgf
	Dwell time settings	User defin

TEST FORCE 200 ACL

	Force application	Load cell, closed loop, force feedback system
	Test forces	Preload : 10kgf , main loads : 15.625, 25, 30, 31.25, 60, 62.5, 100, 125, 150, 187.5kgf
	Force range	FENIX 200 ACL 10kgf – 187.5kgf
	Test force tolerance	< 0.25% for test force 10kgf to 187.5kgf
	Dwell time settings	Default 10 seconds, user defined. Up to 999 seconds

GENERAL

	Machine dimension	765mm x 270mm x 555mm
	Machine weight	116kg
	Power supply	100VAC to 240VAC, 50/60Hz, single phase
	Operating temperature	10°C to 35°C, non-condensing
	Power consumption	10W
	Humidity	10% to 90%, non-condensing

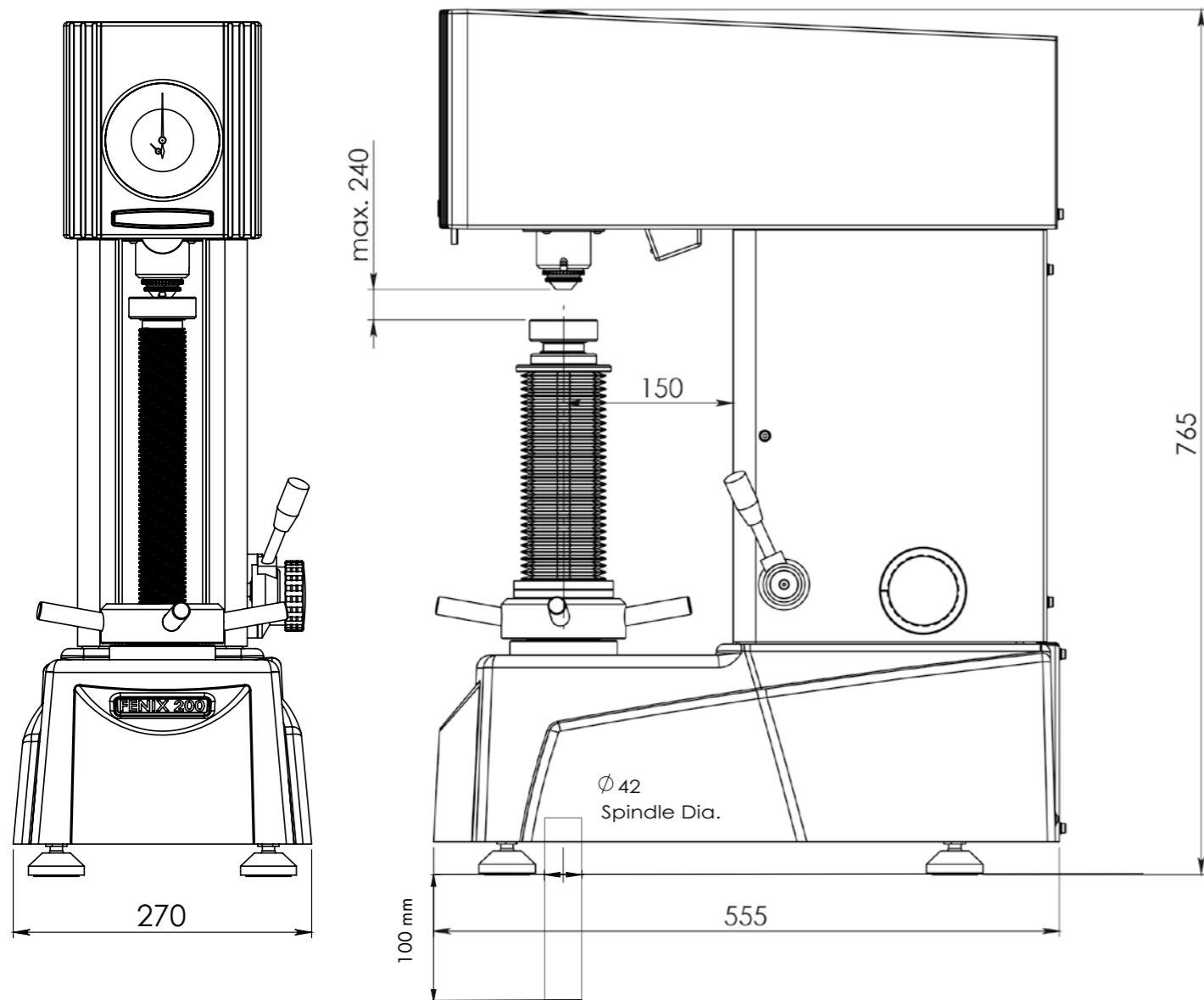


TECHNICAL DRAWINGS

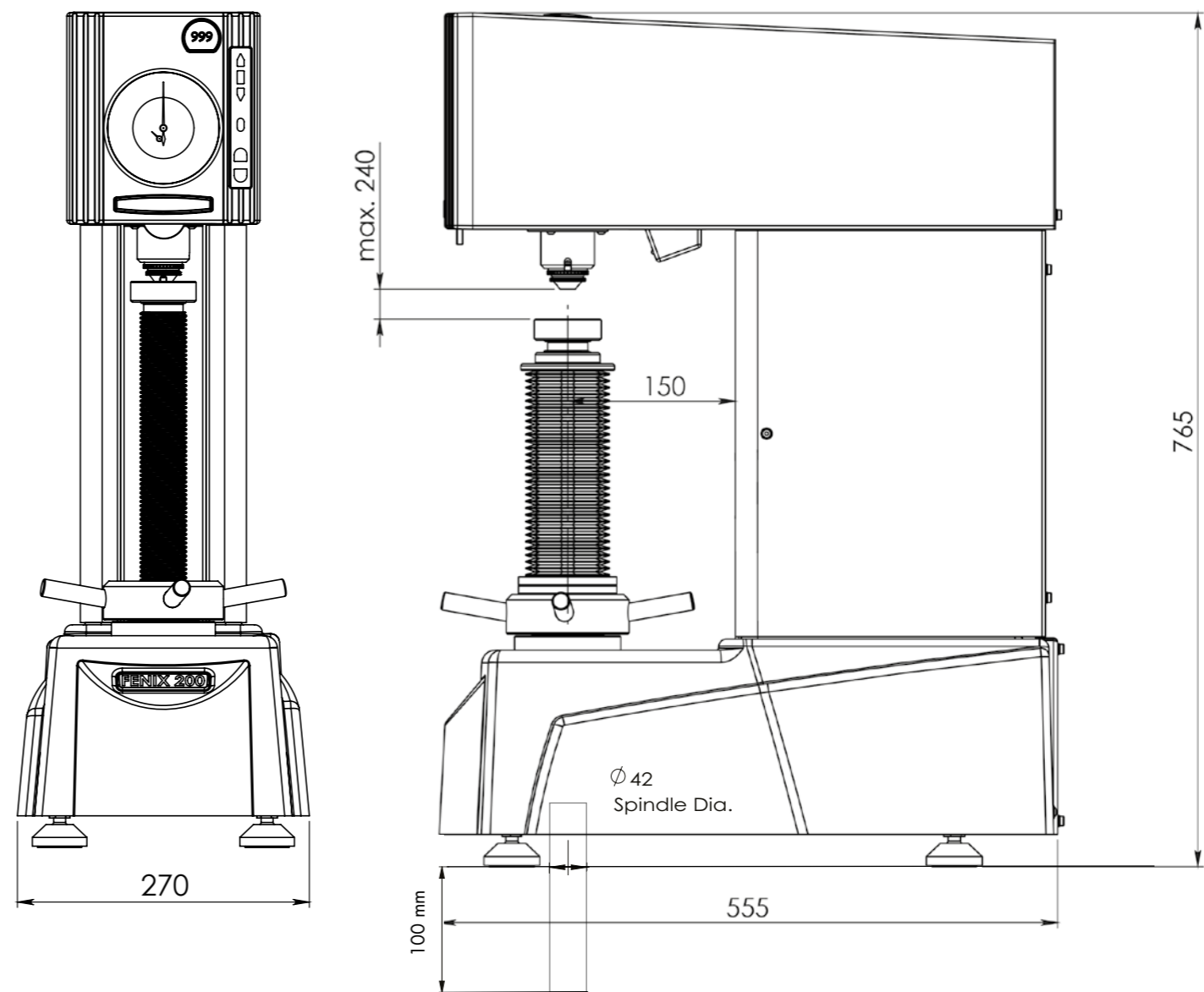
All dimensions in these drawings are in mm, approximate. Working heights and or workpiece accommodation varies depending on the stages and stage accessories used.

Please contact our sales department for more details.

FENIX 200 AR



FENIX 200 ACL



OTHER MODELS IN THE ROCKWELL RANGE



NEXUS 605

Load Cell, closed loop
Rockwell/Super Rockwell/
Brinell hardness tester,
with full color touch
screen.

See brochure B18N605/01



NEXUS 610

Load Cell, closed loop
Rockwell/Super Rockwell/
Brinell hardness tester,
with integrated PC,
Windows 10, wifi etc.
full color touch screen.

See brochure B18N610/01



VERZUS 710

Load Cell, closed loop
Rockwell/Super Rockwell/
Brinell hardness tester, with
direct depth measuring system,
integrated PC, Windows 10,
wifi, full color touch screen.

See brochure B18V710/01



NEMESIS 6100

Load Cell, Closed loop
Fully automatic Rockwell/
Super Rockwell (Brinell)
hardness tester with
descending test head &
fixed workpiece position.
full color touch screen
operation.

See brochure B18N6100/01



NEMESIS 6200

Load Cell, Closed loop
Fully automatic Rockwell/
Super Rockwell (Brinell)
hardness tester with
descending test head & fixed
workpiece position, integrated
PC, Windows 10, Wifi, full color
15 " industrial capacitive touch
screen.

Includes CNC motorized
X-Y stage, overview camera
and advanced software
(IMPRESSIONS) for automatic
pattern testing and fixture
recognition.

See brochure B18N6200/01

www.innovatest-europe.com

Changes in products and/
or product specifications
can emerge due to new
technologies and continuous
development.

We reserve the right to change
or modify specifications of
the products without prior
notice. We recommend you
to contact our sales office for
up-to-date information.

Brochure B18F200/04/EN

© All rights reserved, 2018

Distributor :



Gnehm Härteprüfer AG
Bönirainstrasse 13, 880 Thalwil
Tel. +41 (0) 44 725 43 42 Fax +41 (0) 44 725 96 05
vertrieb@gnehm-haertepreuefer.ch
www.gnehm-haertepreuefer.ch



CORPORATE HEAD OFFICE

INNOVATEST Europe BV

Manufacturing, Distribution & Service

Borgharenweg 140
6222 AA MAASTRICHT
The Netherlands

Phone: +31 43 3520060

Fax: +31 43 3631168

info@innovatest-europe.com

www.innovatest-europe.com

INNOVATEST Shanghai Co., Ltd. **Sales & Service**

Building 2, No.123,
1165 Nong Jindu Road
South Metropolis Industrial Park
Minghang District,
Shanghai, P.R. CHINA
Zip code 201108

Phone: +86 21 60906200
Fax: +86 21 60912595
info@innovatest-shanghai.com
www.innovatest-shanghai.com

INNOVATEST Japan Co., Ltd. **Sales & Service**

3-36-13, Horinouchi,
Suginami-ku, Tokyo,
JAPAN 166-0013

Phone: +81 4 2937 7540
Fax: +81 4 2937 7542
info@innovatest-japan.com
www.innovatest-japan.com

INNOVATEST South East Asia **Sales & Service**

20 Sin Ming Lane #05-58
Midview City
SINGAPORE 573 968

Phone: +65 6451 1123
Fax: +65 6452 1011
info@innovatest-singapore.com
www.innovatest-singapore.com

INNOVATEST Polska sp. z.o.o **Sales & Service**

Ul. Komornicka 127
62-051 Wiry
POLAND

Phone: +48 697 099 826
info@innovatest-polska.pl
www.innovatest-poland.com