

NEXUS 3001XLM-IMP



NEXUS 3001XLM-IMP Brinell hardness tester



Features

FULLY-AUTOMATIC SYSTEM

Brinell hardness tester with fully automatic indent video measuring system, equipped with a automatic motorized turret/revolver (indenter/objective positions). Optical system with high quality objective.

Powerful PC based fully automatic indent measuring software IMPRESSIONS™, with indent ZOOM function, automatic focus, automatic measurements, database testing results storage and image storage.

Standard equipped with motorized spindle for fully automatic procedure.

Procedure:

Auto-load, automatic indentation, automatic focus, automatic indent measuring, unload.

Key features IMP system:

- 2-Position motorized turret (indenter/objective)
- Auto-load, -indentation, -focus, -measuring, unload
- High resolution CCD camera
- IMPRESSIONS™ hardness testing software for automatic measuring and data/image storage
- Powerful PC with 15" industrial LCD touch screen, height adjustable bracket, keyboard and mouse (optional)
- Test loads 30kgf/294.2N - 3000kgf/29kN

Manual mode use:

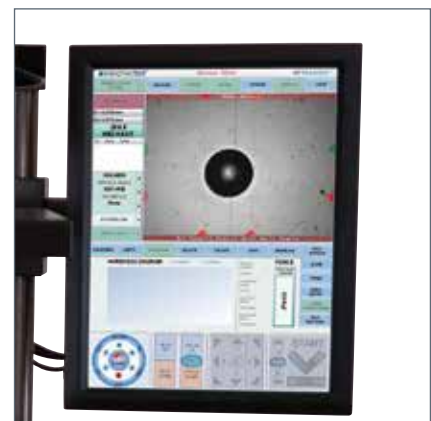
- LCD display showing Brinell and Vickers value, statistics and tester settings
- Simultaneous conversion to Rockwell, Vickers, Brinell and Leeb rebound testing
- Microscope with analogue scale for indentation measurement



NEXUS 3001XLM-IMP can also be operated as a Brinell indentation press only. Without the use of the IMPRESSIONS™ interface.



NEXUS 3001XLM-IMP is standard equipped with an automatic motorized spindle for a fully automatic testing procedure.



IMPRESSIONS™ video indent measurement system and tester user interface offers unlimited testing results storage capacity and allows to set up a number of standard test programs.

Technical specifications

NEXUS 3001XLM-IMP	
Hardness scales	Brinell,
Load range	30kgf/294.2N to 3000kgf/29kN
Test loads	30kgf/294.2N, 31.25kgf/306N, 62.5kgf/612N, 100kgf/980.7N, 125kgf/1225N, 187.5kgf/1838N, 250kgf/2.45kN, 500kgf/4.9kN, 750kgf/7.35kN, 1000kgf/9806N, 1500kgf/14.7kN, 3000kgf/29kN
Brinell test range	HB: 30kgf/294.2N, 31.25kgf/306N, 62.5kgf/612N, 100kgf/980.7N, 125kgf/1225N, 187.5kgf/1838N, 250kgf/2.45kN, 500kgf/4.9kN, 750kgf/7.35kN, 1000kgf/9806N, 1500kgf/14.7kN, 3000kgf/29kN
Indentors	Balls 1mm - 2.5mm - 5mm - 10mm
Test force selection	Electronic, closed loop, load cell, force feedback system, indication in kgf or N. Test force selectable over menu operation
Test procedure	Automatic, loading/dwell/unloading
Loading speed	Variable, depending on test load
Test force accuracy	<0.5% for all test forces
User display	Diameter of indent, length of diagonals, hardness value, converted value, test force, online statistics
Display resolution	0.01 HB
Hardness conversion	Rockwell, Vickers, Brinell, Leeb and Tensile 3 scales simultaneously
Standards	Meets or exceeds, ISO, ASTM, JIS (Nadcap) standards
Statistics	Total tests, max, min, average, range, standard deviation, all in real time after each test
Control panel	Start test, stop test, dwell time, print, clear, menu operation for date, time, scale and load settings, language
Firmware	V2.01 German, English, French (standard) V2.02 English, Italian, Spanish
Memory	Large memory for testing results
Connectivity	RS-232, Bi-Directional, USB
Loading mechanism	Fully automatic, closed loop, force feedback, loading, dwell, unloading
Dwell time setting	Default 10 seconds, user defined 1 to 99 seconds
Printer	Optional silent high speed printer
Optical measurement system	Video measuring, 0.1µm reading
Workpiece accommodation	Vertical capacity 335mm, Horizontal capacity 220mm (from center-line)
Maximum workpiece weight	100kg
Operating temperature	10°C to 35°C, non-condensing
Humidity	10% to 90% non-condensing
Machine dimensions	190mm x 617mm x 985mm
Machine weight	160kg
Power supply	100V AC to 240V AC, 50Hz/60Hz, single phase

Standard delivery

- V-anvil, hardened, $\varnothing 80\text{mm}$
- Large flat anvil, $\varnothing 200\text{mm}$
- Analogue measuring microscope with 20x (3001/XL/XLM series)
- Fuse 2A (3 pcs)
- Wireless mouse and keyboard
- Power cable
- Four adjustable feet
- INNOVATEST® certificate
- Installation and user manual

Optional accessories

- Certified indenters (ASTM, DIN, ISO)
- Certified reference hardness blocks (ASTM, DIN, ISO)
- Large testing table 350mm x 250mm
- HB100 Video measuring and data base system
- Extended height/width frame XL models
- Custom testing tables
- Solid tester table and storage cabinet

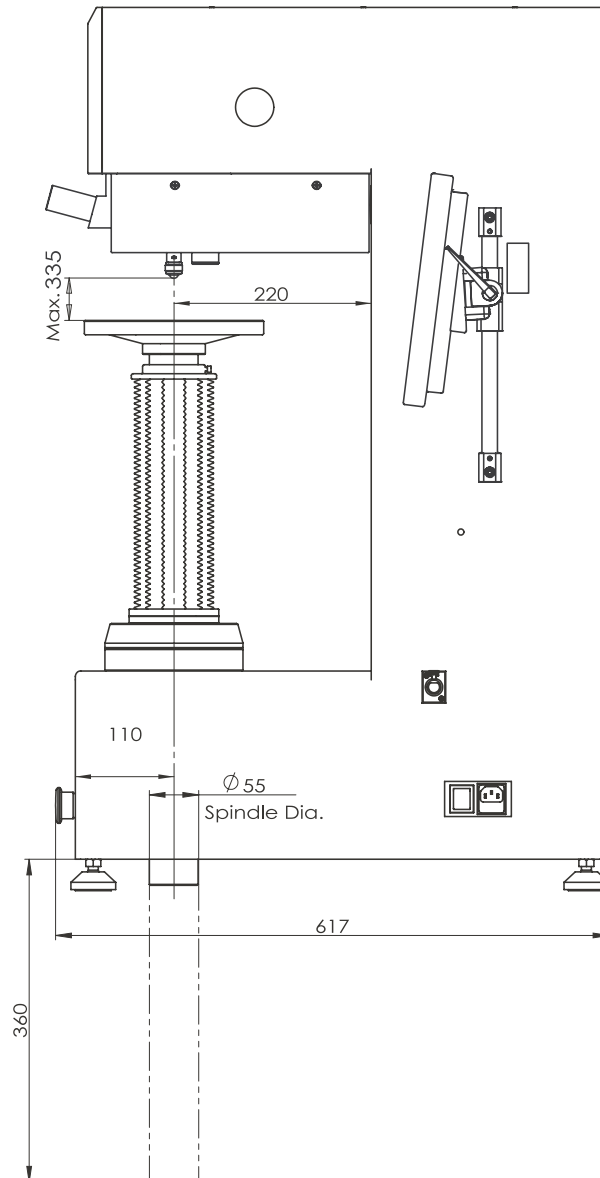
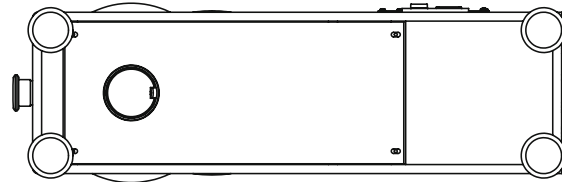


Order details

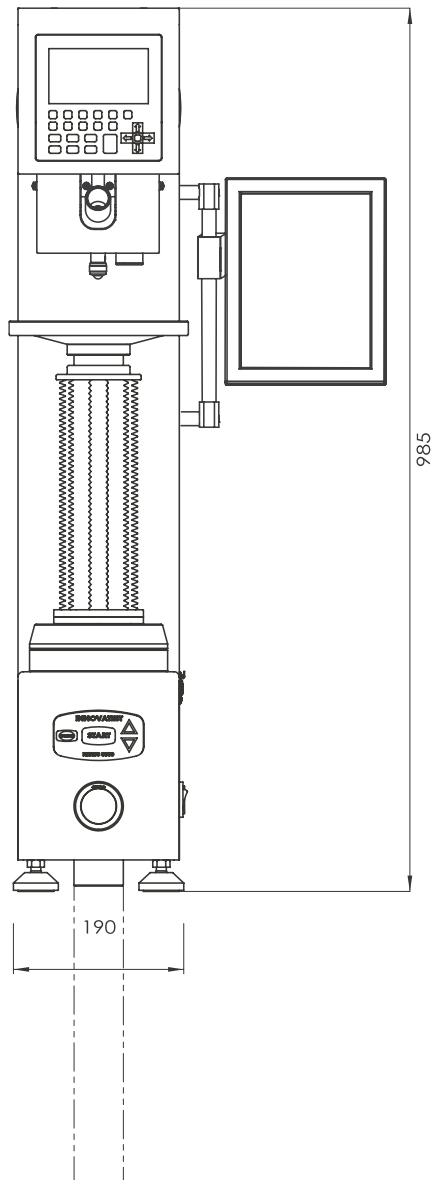
NEXUS 3001XLM-IMP Brinell, digital microscope, tall version with motorized spindle, with fully automatic measurements, test forces 30kgf/294.2N to 3000kgf/29kN

Technical drawing NEXUS 3001XLM-IMP

All dimensions are in mm



All dimensions are in mm



Represented by :



Gnehm Härteprüfer AG
Bönirainstrasse 13, 880 Thalwil
Tel. +41 (0) 44 725 43 42 Fax +41 (0) 44 725 96 05
vertrieb@gnehm-haertepreuefer.ch
www.gnehm-haertepreuefer.ch



CORPORATE HEAD OFFICE

INNOVATEST Europe BV MANUFACTURING, DISTRIBUTION & SERVICE

Borgharenweg 140
6222 AA Maastricht (The Netherlands)
Phone: +31 43 3520060
Fax: +31 43 3631168
E-mail: info@innovatest-europe.com
Website: www.innovatest-europe.com

INNOVATEST has a global presence for sales and service. Please contact our head office for contact details on the nearest branch office or distributor.

INNOVATEST Shanghai Co., Ltd. DISTRIBUTION, SALES & SERVICE

Building 2, No.123, 1165 Nong Jindu Road,
South Metropolis Industrial Park
Minhang District, Shanghai, P.R. China
Zip code: 201108
Phone: +86 21 60906200
Fax: +86 21 60912595
E-mail: info@innovatest-shanghai.com
Website: www.innovatest-shanghai.com

INNOVATEST Polska Sp. z o.o. SALES & SERVICE

ul. Komornicka 127
62-051 Wiry, Polska
Phone : +48 697 099 826
E-mail info@innovatest-polska.pl
Website: www.innovatest-polska.pl

INNOVATEST Japan Co., Ltd. SALES & SERVICE

3-36-13, Horinouchi, Suginami-ku,
Tokyo, Japan 166-0013
Phone: +81 4 2937 7540
Fax: +81 4 2937 7542
E-mail: info@innovatest-japan.com
Website: www.innovatest-japan.com

INNOVATEST South East Asia CUSTOMER SUPPORT CENTER

20 Sin Ming Lane #05-58 Midview City
Singapore 573 968
Phone: +65 6451 1123
Fax: +65 6452 1011
E-mail: info@innovatest-singapore.com

Changes in products and/or product specifications can emerge due to new technologies and continuous development. We reserve the right to change or modify specifications of the products without prior notice. We recommend you to contact our sales office for up-to-date information. © All rights reserved